

IP67 Connectors: GM67X-S Series Box Side, IP67 Panel Mount Jack with Shielded Jack

(Must Be Used with GM67X Series Cable Side Part)

Product Features

IP67
Panel Mount
Shielded Jack Termination
Optional Cap Available

Performance Specifications

Materials and Finish

Housing Material

Polycarbonate, UL 94V-0 Rated, Black Color

Contact Material

Phosphor Bronze

Nut Material

Polycarbonate, UL 94V-0 Rated, Black Color

Gasket Material

Silicone, UL 94HB Rated, Red Color

Electrical Characteristics

Insulation Resistance

500 Megohms Min.

Dielectric Withstanding Voltage

1000V AC RMS for 1 Minute

Contact Resistance

90 milliohms Max.

Current Rating

1.5A

Voltage Rating

125V DC

Durability 1000 Mating Cycles Min.

Operating Temperature

-40°C to +80°C

Note

*Must be used with GM67X series cable side part

2D Drawing	IGES	STEP	3D PDF
Solder Profile	CofC RoHS Compliant	CofC REACH Compliant	UL Plastic File
Certificate of Origin	Check Stock	Request a Sample	Send Us An Email

Generated Part Number

Part Number Builder

<input type="text"/>	-	<input type="text"/>	<input type="text"/>	<input type="text"/>
Series		No. of Positions	No. of Contacts	Plating Option

Series

GM67X-S - Panel Mount IP67 Modular Jack with Cable and plug

Number of Positions/Contacts

88 - 8 Positions / 8 Contacts

Plating Option

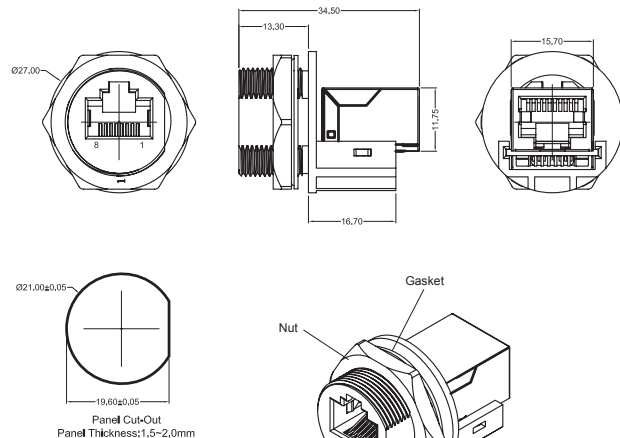
Blank - Gold Flash

50 - 50µ" Gold Plating

Contact Kycon For Other Option

GM67X-S Series

Dimensions in mm



*Kit includes jack, nut, and gasket
Recommended Nut Torque: 12 Kgf-cm

[Click here for our assembly videos](#)