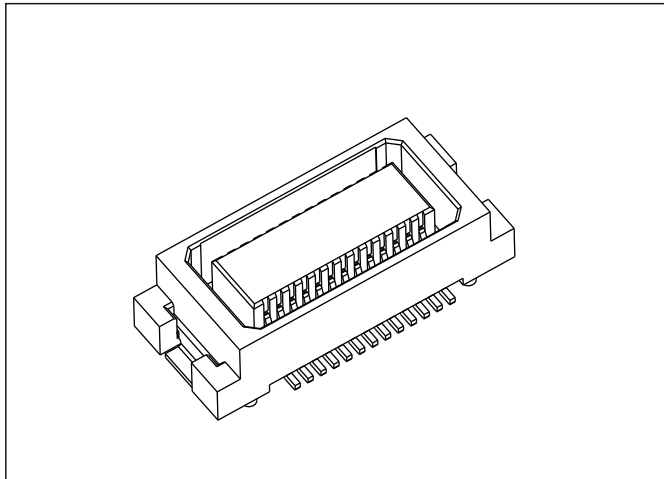




**LEADERSHIP** in  
Connector Design

# 0.5mm Board to Board Socket

## K050BSX Series



### Specifications:

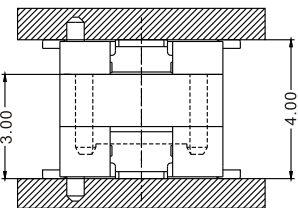
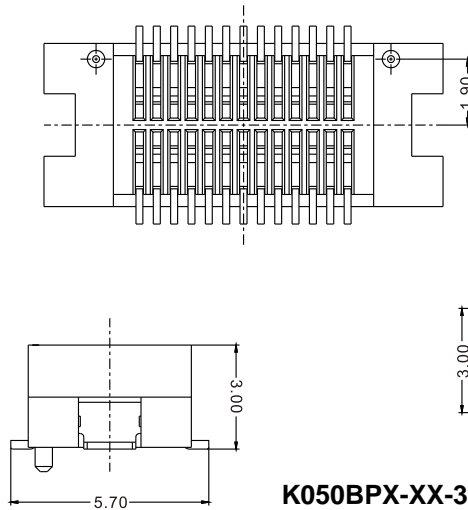
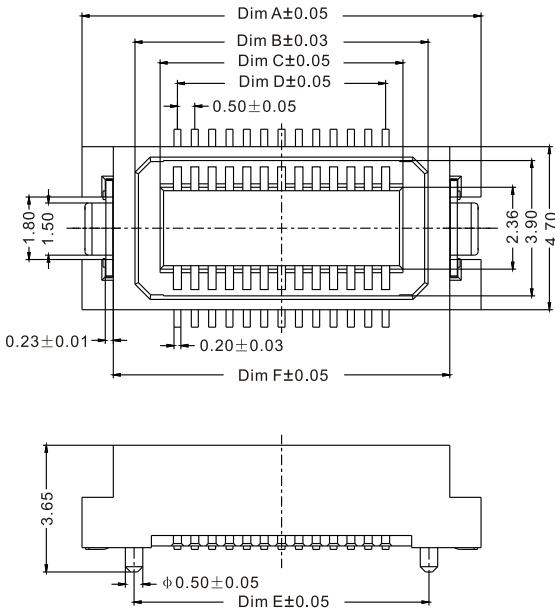
- Current rating : 0.5Amps
- Voltage rating : 50V AC/DC
- Contact resistance : 30m ohm.max.
- Insulation resistance : 100M ohm.
- Withstanding voltage : AC 100V for one minute
- Temperature range : -20°C to +105°C

### Material and Finish

- Insulator : High Temp. Plastic (UL94V-0)
- Contact : Phosphor Bronze
- Plating : Gold Plated

### Feature

- Mating Height: 4.0mm space
- Design for Mobile Phone, MP3, Digital Camera



**K050BPX-XX-330-G and K050BSX-XX-300-G**  
Mating Height Draw(Ref)

### Engineering Dimension

Circuits	Dim. A	Dim. B	Dim. C	Dim. D	Dim. E	Dim. F
20	10.00	6.75	5.50	4.50	7.00	8.20
26	11.50	8.25	7.00	6.00	8.50	9.70
30	12.50	9.25	8.00	7.00	9.50	10.70
40	15.00	11.75	10.50	9.50	12.00	13.20
50	17.50	14.25	13.00	12.00	14.50	15.70
60	20.00	16.75	15.50	14.50	17.00	18.20
70	22.50	19.25	18.00	17.00	19.50	20.70
80	25.00	21.75	20.50	19.50	22.00	23.20

### Ordering Information

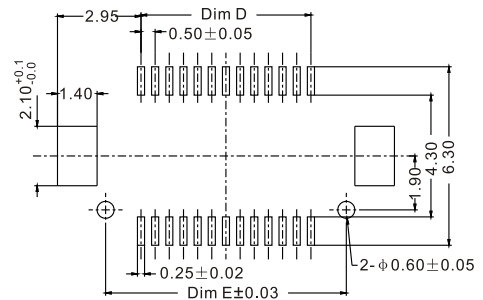
**K050BSX - XX - 300 - GT**

①      ②      ③      ④

① = Series    ② = No. of Contacts    ③ = Height    ④ = Plating (Gold)

\* T - Tape and Reel Packaging

### Recommended PCB Layout



**PCB MOUNTING LAYOUT**

Unit:mm