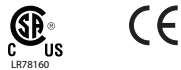


## KUSBVX Series

### Vertical Top Entry Universal Serial Bus 3.0

### Features



- Also Known as SuperSpeed USB
- Vertical Top Entry, Through Hole Termination
- B Type Available
- Meets USB-IF 3.0 Specification
- Backwards and Forward Compatible to USB 2.0 Products
- CSA/NRTL Certified File No. LR78160

### Performance Specifications

#### Materials and Finish

**Insulator:** PBT+30%GF Thermoplastic, UL 94V-0 Rated, Blue Color

**Contact A (4 Pin):** Phosphor Bronze

**Contact B (5 Pin):** Brass

**Plating:** 30µ" Gold Plating over Nickel on Contact area, Tin Plating on Solder Tail

**Shell:** Brass, Nickel Plated

#### Electrical Characteristics

**Rated Current:** 1.8A

**Insulation Resistance:** 1000 Megohms

**Contact Resistance:** 50 milliohms Max.

**Dielectric Withstanding Voltage:** 100V AC Min.

#### Mechanical Characteristics

**Insertion Force:** 2.5Kg Max.

**Withdrawal Force:** 1.0-2.5Kg Min.

**Durability:** 5000 cycles Min.

**Operating Temperature:** See Drawing

# UNIVERSAL SERIAL BUS 3.0

## KUSBVX Series

### Documentation & Ordering Information

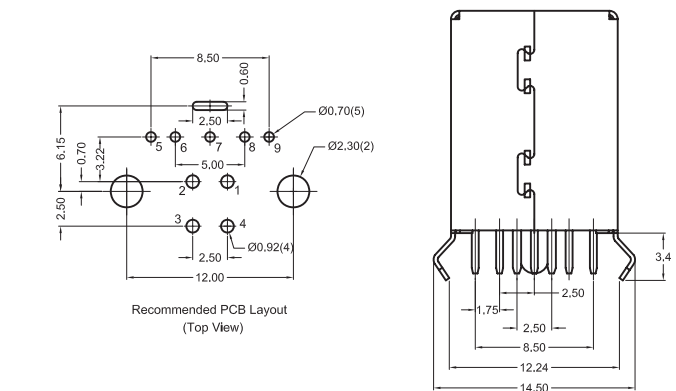
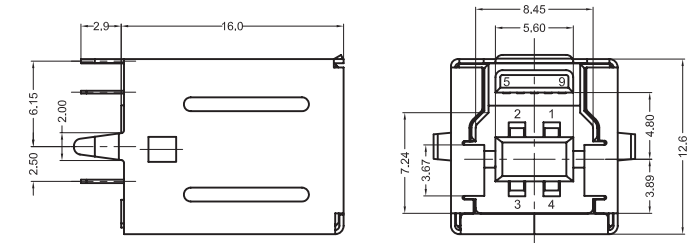

Kycon Part #

### Part Number Builder

Series	Type	Insulator Option	Plating Option
Series KUSBVX - Vertical Top Entry Universal Serial Bus	Type BS1N9 - B Type, 9 pins	Insulator Color Option BL - Blue	Plating Option 30 - 30µ" Gold

### KUSBVX-BS1N9-BL30

Dimensions in mm



Pin Number	Signal Name
1	VBUS
2	D-
3	D+
4	GND
5	StdB SSTX-
6	StdB SSTX+
7	GND-DRAIN
8	StdB SSRX-
9	StdB SSRX+