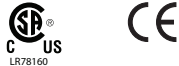


KUSBX Series

Right Angle Universal Serial Bus 3.0 B Type

Features



- Also Known as SuperSpeed USB
- Meets USB-IF 3.0 Specification
- Right Angle PC Mount, Through Hole Termination
- Backward and Forward Compatible to Existing USB 2.0 Products
- Data Rates up to 10 Times Faster Than USB 2.0 Version
- CSA/NRTL Certified File No. LR78160

Performance Specifications

Materials and Finish

Insulator: PBT+30%GF Thermoplastic, UL 94V-0 Rated, Blue Color

Contact A (4 Pin): Phosphor Bronze

Contact B (5 Pin): Brass

Plating: 30µ" Gold Plating over Nickel on Contact Area, Tin Plating on Solder Tail

Shell: Brass, Nickel Plated

Electrical Characteristics

Rated Current: 1.8A

Insulation Resistance: 100 Megohms

Contact Resistance: 50 milliohms Max.

Dielectric Withstanding Voltage: 100V AC Min.

Mechanical Characteristics

Insertion Force: 2.5Kg Max.

Withdrawal Force: 1.0-2.5Kg Min.

Durability: 5000 cycles Min.

Operating Temperature: See Drawing

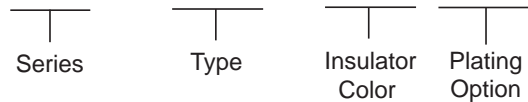
UNIVERSAL SERIAL BUS 3.0

KUSBX Series

Documentation & Ordering Information

Kycon Part #

Part Number Builder



Series

KUSBX - Right Angle Universal Serial Bus

Type

BS1N9-1 - Type B Socket, 9 Pin, 2.80mm Pin Length

Insulator Color Option

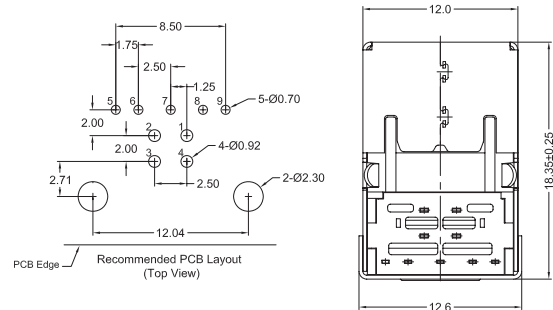
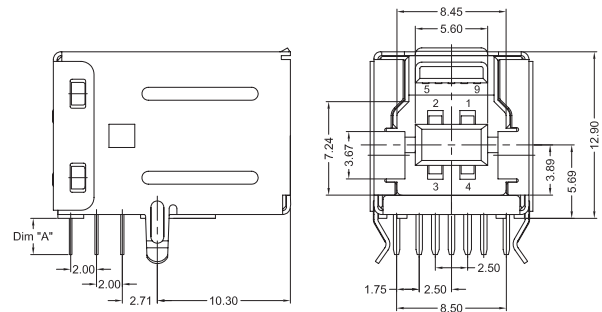
BL - Blue

Plating Option

30 - 30µ" Gold

KUSBX-BS1N9-1

Dimensions in mm



Pin Number	Signal Name
1	VBUS
2	D -
3	D +
4	GND
5	StdB_SSTX-
6	StdB_SSTX+
7	GND-DRAIN
8	StdB_SSRX-
9	StdB_SSRX+