

RoHS



KUSBXHT Series High Temperature Right Angle USB

Features



- Through Hole PCB Mount
- Compatible with Many Computer Peripherals
- A and B Types Available
- Supports Hot Plugging
- Contact Area with Gold Plating
- CSA/NRTL Certified File No. LR78160

Performance Specifications

Materials and Finish

Insulator: High Temperature, Thermoplastic, UL94V-0 Rated, White or Black Color, Reflow Compatible

Contacts: Phosphor Bronze

Contact Plating: Gold on Contact Area, Tin on Solder Tail, All over Nickel Underplate

Shell: Brass, Nickel Plated

Mechanical Specifications

Insertion Force: 3.5kg Max.

Extraction Force: 1kg Min.

Electrical Characteristics

Rated Voltage: 30V AC

Rated Current: 1A

Contact Resistance: 30 milliohms Max.

Insulation Resistance: 1000 Megohms Min.

Dielectric Withstanding: 500V AC

Operating Temperature: See Drawing

UNIVERSAL SERIAL BUS

KUSBXHT Series

Documentation & Ordering Information

Kycon Part #

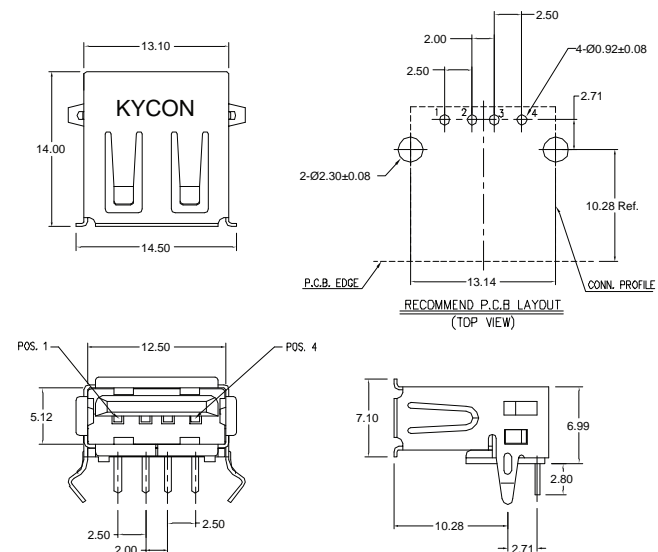
Part Number Builder

Series	Type	Insulator Color	Plating Option
Series KUSBXHT - High Temperature Right Angle USB	Type AS1N - A Type BS1N - B Type AS2N - Stacked A Type	Insulator Color Option B - Black W - White	Plating Option Blank - Gold Flash 30 - 30µ"Gold

Contact Kycon for **High Retention Force** and more color options

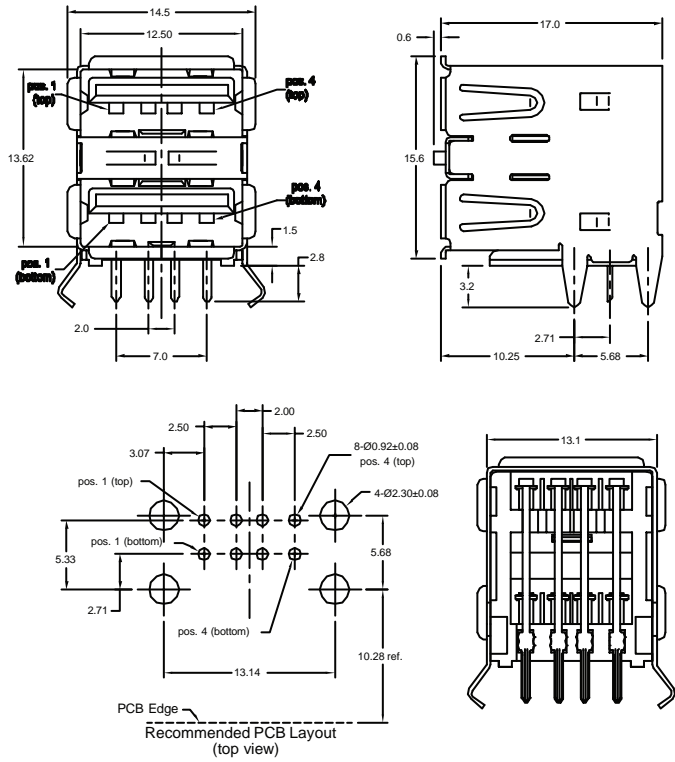
KUSBXHT-AS1N Series

Dimensions in mm



*See next page for more dimensions

KUSBXHT-AS2N
Dimensions in mm



KUSBXHT-BS1N
Dimensions in mm

