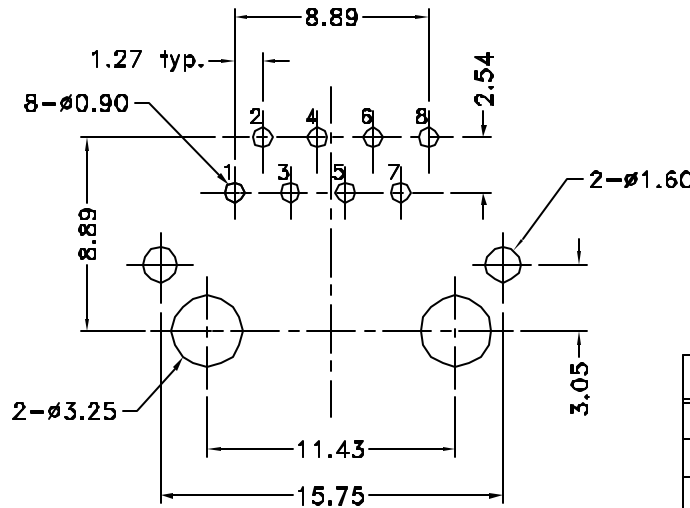
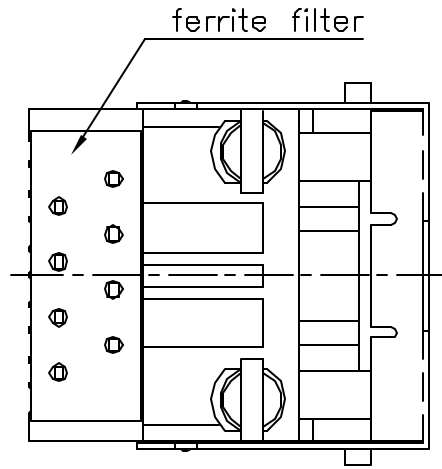


PCB LAYOUT/TOP VIEW



Materials and Finish

Housing Material-
PBT Thermoplastic
UL 94V-0 Rated
Color: Black

Shield Material-
Copper Alloy- Nickel Plated

Contact Material-
Phosphor Bronze

Contact Plating-
50 Option: 0.0001" Nickel Plating,
Selective Plating 0.000050"
Gold on Contact Area to
Comply with FCC Requirements
Under No. 47 C.F.R. Part 68,
Subpart F

Electrical Characteristics

Insulation Resistance-
500 Megohms Min.

Dielectric Withstanding Voltage-
1000V rms, 60Hz

Contact Resistance-
20 milliohms Max.

Current Rating-
1.5 Amps

Ferrite Specifications	
Test Frequency	Impedance
1 Mhz	1 ohm
10 Mhz	7 ohms
30 Mhz	13 ohms
50 Mhz	16 ohms
100 Mhz	21 ohms

Tolerances
x.x ± 0.25
x.xx ± 0.15
Unless Stated Otherwise

Part Number	Contact Plating Finish
GDLF-S3-88-50	50u" Gold

CSA NRTL/C Certified File No. LR78160

REVISION	DATE	DESCRIPTION	DRAWN BY	CHEKED BY	UNITS
A03	1/15/01	reverse & correct boardback orientation on bottom view, change shield plating to tin or nickel.	C. Leiva	H. MA	mm
A1	8/27/01	Ref ECD 01-150	REVISED BY	CHECK DATE	DATE
A2	11/11/05	ECD #05-024	R. Aguirre	11/16/05	11/6/00

GDLF-S3-88-50

Shielded Mod. Jack, 8 position/8 contacts
Flat Grounding Flaps, Ferrite filter, Extended Shield

