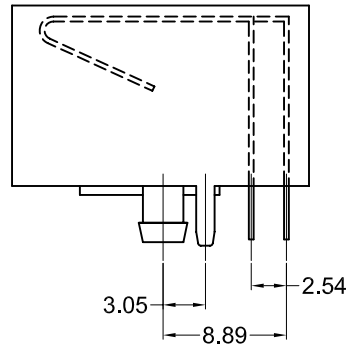
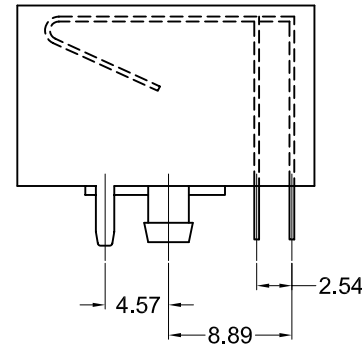


3.05 Ground Pin Option



4.57 Ground Pin Option



**Material and Finish**

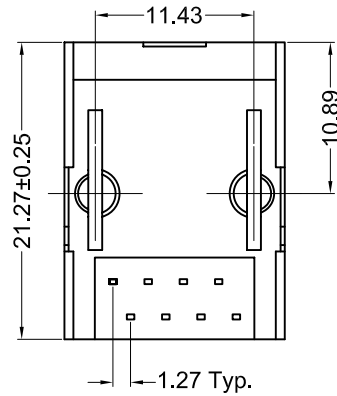
Body: PBT, glass filled  
 UL94V-0 rated, color: black  
 Shield: 0.25mm thick  
 copper alloy, nickel plated 90u"  
 Contact Material: phosphor bronze,  
 nickel underplate on entire contact,  
 tin on termination end  
 Gold Plating Options on  
 Contact Area:  
 Standard: gold flash  
 50 option: 50u" gold  
 to comply with FCC  
 requirements under #47  
 C.F.R. Part 68,  
 Subpart F

**Electrical Characteristics**

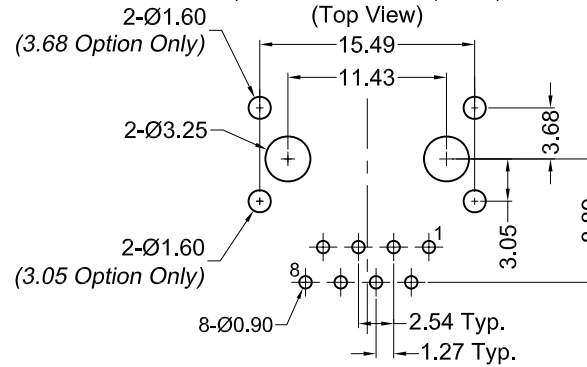
Current Rating: 1.5A  
 Voltage Rating: 125V DC  
 Insulation Resistance:  
 500 Megohms min.  
 Dielectric Withstanding Voltage:  
 1000 Volts RMS,  
 for 1 minute  
 Contact Resistance:  
 20 milliohms max.  
 Durability Rating:  
 750 mating cycles min.  
 Operating Temperature:  
 -40°C to +85°C

**Electrical Performance**

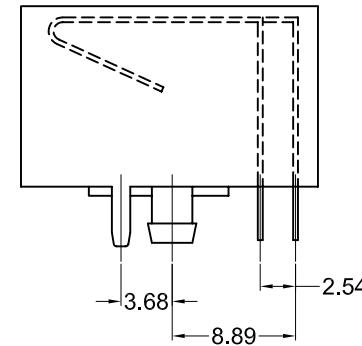
Category 5 100MHz Bandwidth Performance  
 Performance meets near end crosstalk (NEXT)  
 Requirements of -40dB @ 100MHz per  
 EIA/TIA 568A in applications where UL  
 Approved Category 5 cable (GA27-3773-1)  
 is used  
 Shielded types offer 20dB shielding from  
 30MHz to 300MHz



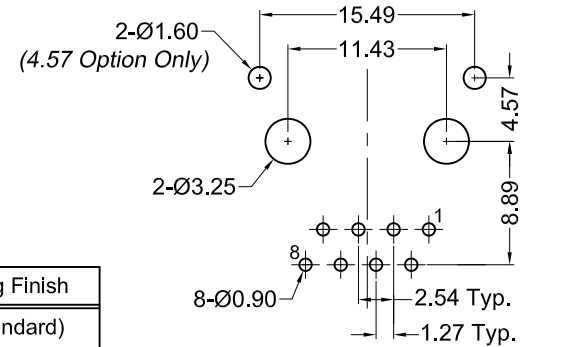
Recommended PCB Layout  
 (for 3.68 and 3.05 options)  
 (Top View)



3.68 Ground Pin Option



Recommended PCB Layout  
 (for 4.57 option only)  
 (Top View)



Part Number	Contact Plating Finish
GSX-NS-88-xxx	Gold Flash (standard)
GSX-NS-88-xxx-50	50u" Gold (-50 option)



Tolerances
X.X ± 0.25
X.XX ± 0.15
Unless Stated Otherwise

REV.	DATE	DESCRIPTION	REV. BY	CHK. BY	DRAWN BY	DATE
A1	10/5/05	New Drawing	R. Aguirre	H. MA	R. Aguirre	07/01/05
A2	3/6/08	ECO #08-030	R. Aguirre	H. MA		
A3	05/13/10	ECO #10-025	S. Vien	H. MA		
A4	07/14/10	ECO #10-048	S. Vien	H. MA		
						UNITS
						mm

**GSX-NS-88-xxx**  
 xxx = Ground pin option

Shielded Rt. Ang Modular Jack, RoHS Compliant  
 8 position/ 8 contacts, 4 sided shield

