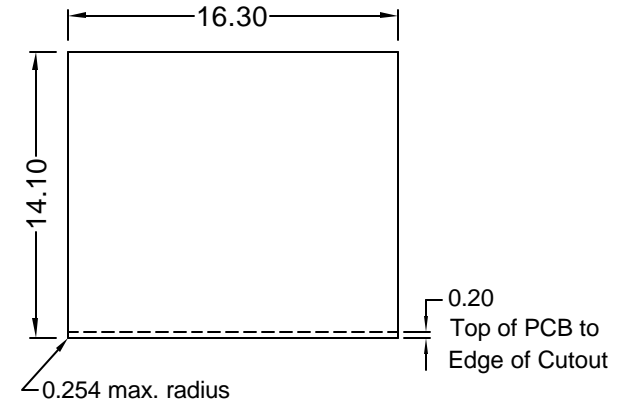


Recommended Panel Cutout



Material and Finish

Body: PBT, glass filled
UL94V-0 rated
color: black

Shield: 0.25mm thick
copper alloy,
nickel plated
90 microinch

Contact: phosphor bronze,
nickel underplate on entire
contact, tin on
termination end

Gold Plating Options on
Contact Area:
Standard: gold flash

50 option: 50u" gold
to comply with FCC
requirements under #47
C.F.R. Part 68,
Subpart F

Electrical Characteristics

Insulation Resistance:
500 Megohms min.

Dielectric Withstanding Voltage:
1000 Volts RMS,
for 1 minute

Contact Resistance:
20 milliohms max.

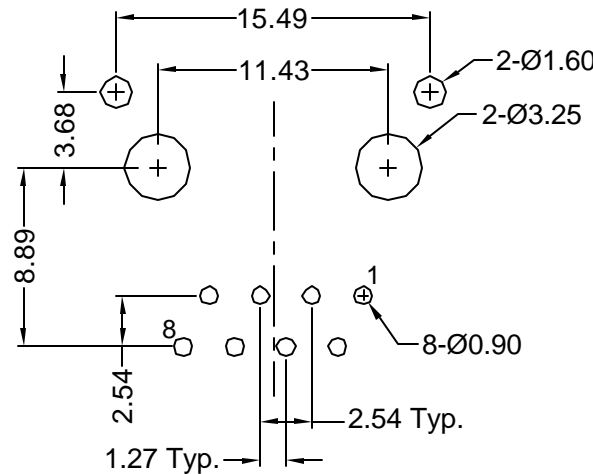
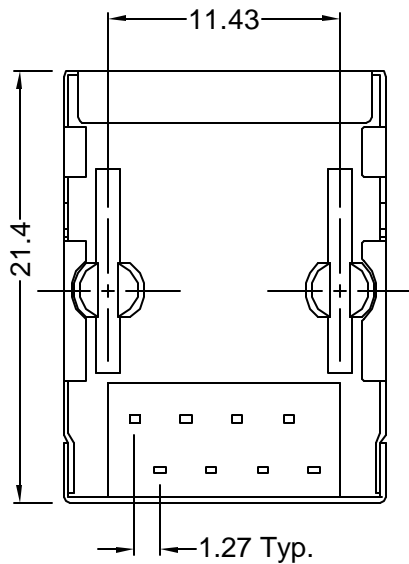
Current Rating
1.5 Amps

Durability Rating:
500 mating cycles min.

Operating Temperature:
-40°C to +85°C



**Recommended PCB Layout
(Top View)**



Ordering Information

Part Number	Contact Area Plating Finish
GSX-NS2-88-3.68	Gold Flash (standard)
GSX-NS2-88-3.68-50	50u" Gold (50 option)

Tolerances
X.X ± 0.25
X.XX ± 0.15
Unless Stated Otherwise



REV.	DATE	DESCRIPTION	REV. BY	CHK. BY	DRAWN BY	DATE
A1	12/07/05	New Drawing	R. Aguirre	H. MA	R. Aguirre	12/07/05

GSX-NS2-88-3.68

Fully Shielded Right Angle True-Hole Modular Jack, RoHS Compliant

4 pos. / 8 contact, imp-grounding spring tabs, 3.00mm spaced grounding sockets

