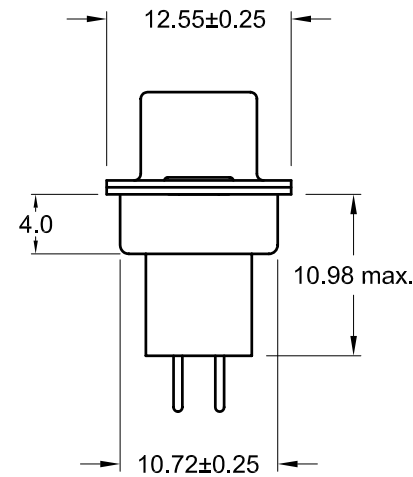
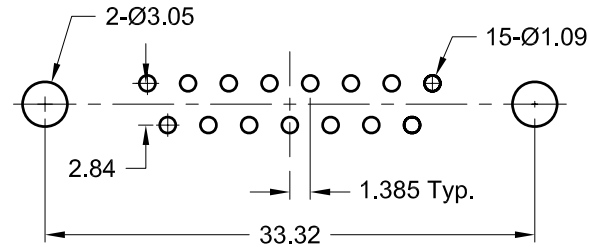


Recommended PCB Layout



boardlocks not shown
in this view

Material And Finish

Shell: Steel, Tin plated
Insulator: PBT with glass-fiber reinforcement, UL 94V-0 rated, color-black

Contact Material:
Socket - Brass

Plating Options:
(Standard) Gold flash on mating end, tin on termination end with nickel underplate
-15: 15 u" Gold on mating end, tin on termination end with nickel underplate
-30: 30 u" Gold on mating end, tin on termination end with nickel underplate

Electrical Specifications

Rated Current: 2A
Rated Voltage: 30V RMS
Dielectric Withstanding Voltage: 500 V (rms) AC for 1 minute
Insulation Resistance: more than 1000 Megohm at 500 V DC
Contact Resistance: 13 milliohm max.
Temperature Rating: -55°C to +105°C
Durability: 500 mating cycles min.

Part Number	Contact Area Plating Finish
K88X-AD-15S-BR	Gold Flash (standard option)
K88X-AD-15S-BR15	15u" Gold (15 option)
K88X-AD-15S-BR30	30u" Gold (30 option)



Tolerances
X.X ± 0.25
X.XX ± 0.15
Unless Stated Otherwise

REV.	DATE	DESCRIPTION	REV. BY	CHK. BY	DRAWN BY	DATE
A1	02/14/06	New Drawing	R. Aguirre	H. MA	R. Aguirre	02/14/06
A2	1/24/08	ECO# 07-052	WILL H.	H. MA		

K88X-AD-15S-BR

Vertical PCB Mount D-Sub Connector, RoHS Compliant
Precision Formed Contacts, Boardlocks

