

Material and Finish

Body: PBT Thermoplastic
UL94V-0 Rated, Black

Contact Material: Phosphor Bronze

Contact Plating Options:
Standard: gold flash on contacts,
tin on soldertails,
all over nickel underplate

Shield: Brass, Nickel Plated

Mechanical Characteristics

Durability Test: 500 Cycles Min.

Insertion Force: 4.5kg Max

Extraction Force: 0.9kg - 3.0kg

Operating Temperature: -55°C to +85°C

Ferrite Performance:

Frequency	Impedance - Z (Ohms)
25 MHz	18 Ohms
100 MHz	30 Ohms

Electrical Characteristics

Contact Resistance:

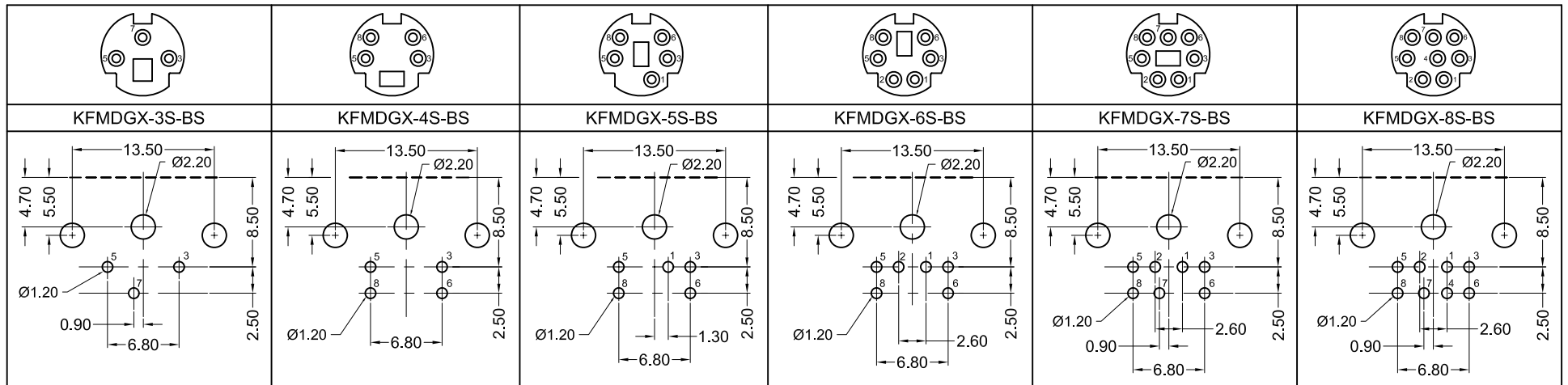
Before Test:
Plug to Shield: 50 Milliohms Max.
Plug to Terminals: 30 Milliohms Max.

After Test:
Plug to Shield: 100 Milliohms Max.
Plug to Terminals: 60 Milliohms Max.

Insulation Resistance:
500 Megaohms Min. at 500 VDC

Dielectric Withstanding Voltage:
500V AC RMS For 1 Minute

Current Rating:
2 Amp at 12V DC



Recommended PCB Layouts (Bottom View)



Tolerances
X.X ± 0.25
X.XX ± 0.15
Unless Stated Otherwise

REV.	DATE	DESCRIPTION	REV. BY	CHK. BY	DRAWN BY	DATE
A1	6/14/05	New Drawing	H. MA	C. Furumasu	H. MA	6/14/05
A2	01/28/09	ECO# 09-021	S. Vien	H. MA		

KFMDGX-xS-BSxx

Mini-DIN RT, Ferrite Filtered, Fully Shield

Gold plated Contacts, RoHS Compliant

