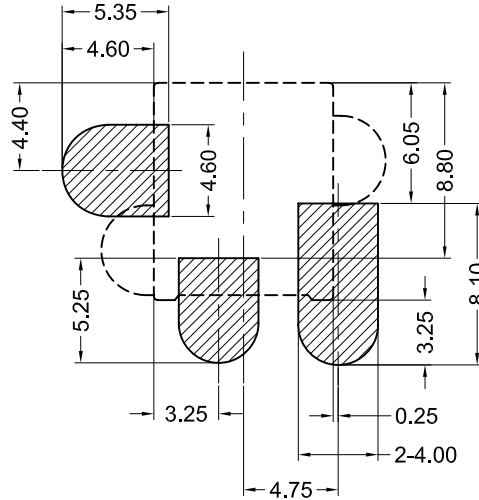
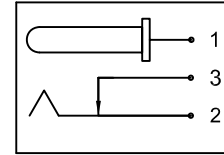


Center Pin Ø2.50



Recommended PCB Layout
(Top View)



Schematic

Material and Finish

- Main Housing: LCP
- Bottom Cover: PA9T
- UL94V-0, Color: Black
- Center Pin: Copper, Nickel Plated
- Contact #1: Brass, Silver Plated
- Contact #2: Phosphor Bronze, Silver Plated
- Contact #3: Brass, Silver Plated

Electrical Characteristics

- Contact Resistance Before Test
- Between Terminals: 30 milliohms Max.
- Plug to Contacts: 50 milliohms Max.

- After Test:
- Between Terminals: 60 milliohms Max.
- Plug to Contacts: 100 milliohms Max.

- Rated Voltage: 16V DC
- Rated Current: 3.5 Amps
- Insulation Resistance: 100 Megohms Min. at 500V DC

- Dielectric Withstanding Voltage: 500V AC for 1 minute

Mechanical Characteristics

- Durability Test: 5000 cycles
- Insertion Force: 0.3kg-3.0kg
- Extraction Force: 0.3kg-3.0kg
- Operating Temp: -25°C to +85°C

Part Number	Center Post Diameter	Packaging
KLDVX-SMT-02-BTR	Ø2.50	Tape & Reel (TR option)



Tolerances
X.X ± 0.25
X.XX ± 0.15
Unless Stated Otherwise

REV.	DATE	DESCRIPTION	REV. BY	CHK. BY	DRAWN BY	DATE
A1	11/11/05	New Drawing	R. Aguirre	H. MA	R. Aguirre	11/08/05
A2	11/24/08	ECO# 08-088	S. Vien	H. MA		

KLDVX-SMT-02-B

Power Jack, Vertical SMT, RoHS Compliant

Ø2.5mm Center Pin

