

### Material and Finish

Inner Shield: copper alloy, tin plated

Body: PBT thermoplastic  
UL94V-0 rated  
color - black

Contacts: pins 1 and 2 - brass, tin plated

pin 3 - phosphor bronze, tin plated

### Electrical Characteristics

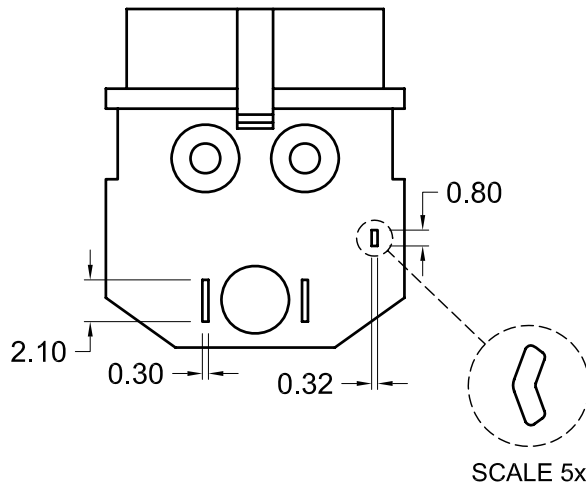
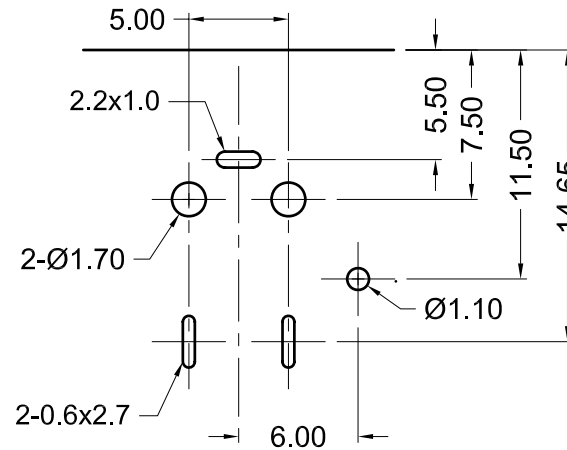
Contact Rating:  
#1,#2: 7.5A max. @ 20V DC  
#3: 1.0A max. @ 20V DC

Insulation Resistance:  
50 Megohms min. at 250V DC

Dielectric Strength:  
250 V AC rms for 1 minute

Contact Resistance:  
30 milliohms max.

### Recommended PCB Layout (Bottom View)



Tolerances
X.X ± 0.25
X.XX ± 0.15
Unless Stated
Otherwise

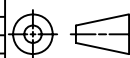


REV.	DATE	DESCRIPTION	REV. BY	CHK. BY	DRAWN BY	DATE
A1	4/13/05	New Drawing	H. MA	C. Furumasu	H. MA	4/12/05
A2	10/22/07	ECO# 07-048	WILL H.	H. MA		

# KPJX-3S

DC Power Jack, RoHS compliant

3 position. non-shielded



UNITS  
mm