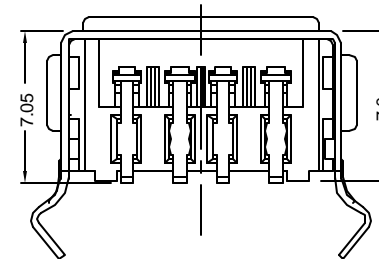
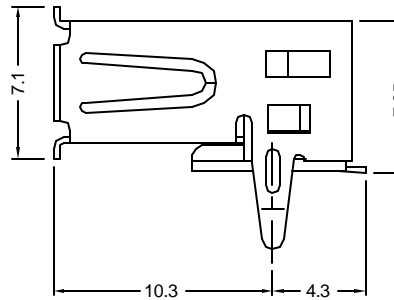
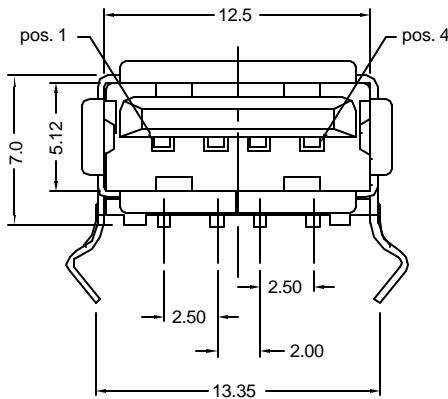


Recommended PCB Layout
(component side)



Part Number	Contact Area Plating Finish	*Insulator Color	Packaging
KUSBX-SMT-AS1N-W	Gold Flash (standard)	White	Bulk (trays, standard)
KUSBX-SMT-AS1N-W30	30u" Gold (30 option)	White	Bulk (trays, standard)
KUSBX-SMT-AS1N-B	Gold Flash (standard)	Black	Bulk (trays, standard)
KUSBX-SMT-AS1N-B30	30u" Gold (30 option)	Black	Bulk (trays, standard)
KUSBX-SMTAS1NWTR	Gold Flash (standard)	White	Tape-and-Reel (TR option)
KUSBX-SMTAS1NW30TR	30u" Gold (30 option)	White	Tape-and-Reel (TR option)
KUSBX-SMTAS1NBTR	Gold Flash (standard)	Black	Tape-and-Reel (TR option)
KUSBX-SMTAS1NB30TR	30u" Gold (30 option)	Black	Tape-and-Reel (TR option)

Materials and Finish

Shield: copper alloy,
100-200u" nickel plated
over 100u" copper

Insulator: High Temp.
UL94V-0 rated
Color- white or black

Recommended reflow
Soldering Temperature:
260 ° C for 10 sec.

Contact Material:
phosphor bronze

Plating Options:
Standard: gold flash
on contact area, 120u"
tin on soldertails,
all over 50u" nickel

30 Option: 30u" Gold
on contact area, 120u"
tin on soldertails,
all over 50u" nickel

Specifications

Rated Voltage:
30V AC (rms)

Contact Current Rating:
1A max.

Contact Resistance:
30 milliohms Max.

Insulation Resistance:
1000 Megohms Min.

Dielectric Withstanding:
500V AC

Insertion Force:
3.57kg max.

Extraction Force:
1.02kg min.

Operating Temperature:
-25°C to 80°C



Tolerances
X.X ± 0.25
X.XX ± 0.15
Unless Stated Otherwise

REV.	DATE	DESCRIPTION	REV. BY	CHK. BY	DRAWN BY	DATE
A1	8/01/05	New Drawing	R. Aguirre	H. Ma	R. Aguirre	8/01/05
A2	9/6/06	ECO#06-056	H. MA	C. Furumasa		

KUSBX-SMT-AS1N-xxx
xxx = color and plating options

USB A-type Receptacle ,RoHS Compliant
Single, Right Angle, SMT

