

**KLDX Series**  
**Locking Type PCB Mount DC Power Jack**

**Features**



- 2.0mm and 2.5mm
- Built in DC On/Off Switch
- Locking Feature (Will Lock with Kycon Locking Plug)
- To Be Used with Locking/Non-locking Tuning Fork Style Plug
- Laptop and Palm Computers, Portable Modems, Radar Detectors, and Other Portable Device Applications
- CSA/NRTL Certified File No. LR78160

**Performance Specifications**

**Materials and Finish**

**Body:** PBT Thermoplastic UL94V-0, Color Black

**Center Pin:** Brass, Nickel Plated

**Contact #1:** Brass Tin Plated

**Contact #2:** Phosphor Bronze, Tin Plated

**Contact #3:** Brass Tin Plated

**Electrical Characteristics**

**Rated Current:** 3.5 Amps

**Rated Voltage:** 24V DC

**Insulation Resistance:** 50 Megohms Min.  
at 100 or 200V DC for 1 Minute

**Contact Resistance:** 30 milliohms Max

**Dielectric Withstanding Voltage:** 250V AC Min. for 1 Minute

**Mechanical Characteristics**

**Durability Test:** 5000 Cycles

**Insertion Force:** 0.3kg Max.

**Extraction Force:** 0.3kg Min.

**Operating Temperature:** -25°C to +85°C

**DC POWER CONNECTORS**

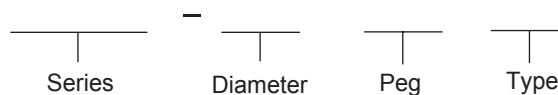
**KLDX Series**

**Documentation & Ordering Information**


**Kycon Part #**

--

**Part Number Builder**



**Series**

KLDX-0202 - PCB Mount DC Power Jack Locking Type

**Diameter**

A - 2.0mm Center Pin Diameter

B - 2.5mm Center Pin Diameter

**Peg**

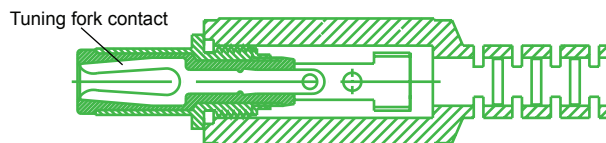
Blank - without Peg

P - with Peg

**Recommended to be used with Kycon locking plug (tuning fork design):**

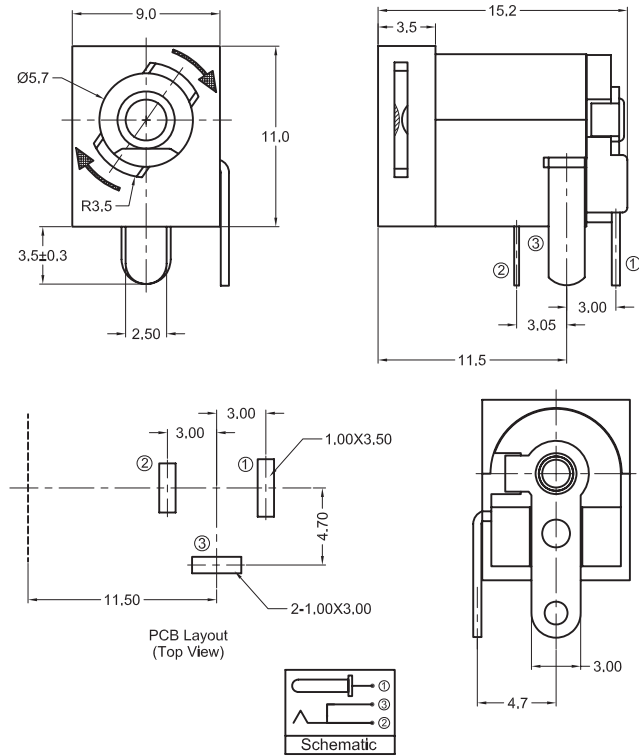
**KLDX-PA-0202-A-LT, KLDX-PA-0202-B-LT**

**If used with non-locking plug, tuning fork design is required. See picture.**



**\*See next page for dimensions**

**KLDX Series Dimensions**  
KLDX-0202-x-LT



**KLDX-0202-xP-LT**

