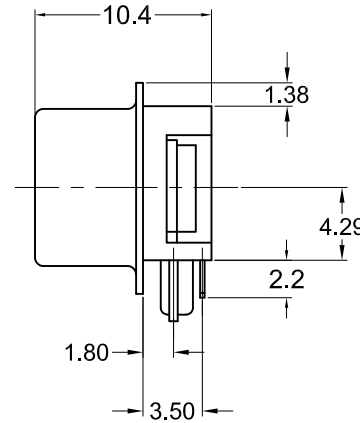


Pin Number Layout: 9 8 7 6  
5 4 3 2 1  
Recommended PCB Layout  
(Top View)



**Material and Finish**

Insulator: High Temperature Thermoplastic with Glass-fiber Reinforcement, UL 94V-0 Rated, Color: Black

Shell: Steel, Nickel Plated

Contact Material:  
Plug - Phosphor Bronze

Contact Plating Options:  
Standard: Gold Flash on Mating End, Tin on Termination End, Nickel Underplate on Entire Contact

15 Option: 15u" Gold on Mating End, Tin on Termination End, Nickel Underplate on Entire Contact

30 Option: 30u" Gold on Mating End, Tin on Termination End, Nickel Underplate on Entire Contact

**Electrical Specifications**

Rated Current: 2A  
Rated Voltage: 30V RMS  
Insulation Resistance: 1000 Megohms Min. at 500V DC  
Contact Resistance: 13 milliohms Max.  
Dielectric Withstanding Voltage: 1000V for 1 Minute

**Mechanical Specifications**

Operating Temperature: -55°C to +105°C

Part Number	Contact Area Plating Finish
K31XHT-E9P-N	Gold Flash (Standard)
K31XHT-E9P-N15	15u" Gold (15 Option)
K31XHT-E9P-N30	30u" Gold (30 Option)



Tolerances
X.X ± 0.25
X.XX ± 0.15
Unless Stated Otherwise

REV.	DATE	DESCRIPTION	REV. BY	CHK. BY	DRAWN BY	DATE
A1	11/16/06	New Drawing	H. MA	C.Furumasu	H. MA	11/16/06
A2	3/6/08	ECO #07-051	S. Vien	H. MA		
A3	10/01/12	ECO #12-052	S. Vien	P. DalCanto		
A4	08/07/18	Address Update	G. Serrato	D. Shehan		
						UNITS
						mm

**K31XHT-E9P-N**

D-Sub, 9 Pin, Plug, RoHS Compliant  
Ultra Compact Footprint, High Temperature

