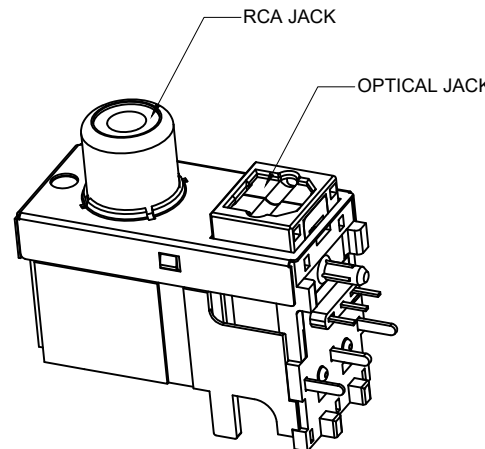
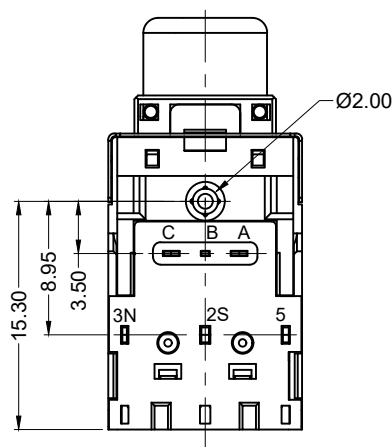


Recommended PCB Layout (Bottom View)



Material and Finish

Body: Thermoplastic, UL94V-0 Rated, Black Color
 Optical Jack Gate: Thermoplastic, UL94V-0 Rated. Pink Color (701C)
 Shield: Copper alloy, Nickel Plated
 RCA Barrel: Copper alloy, Nickel Plated
 RCA Contacts: 2S, 3N, 5 : Copper alloy, Tin Plated.

Electrical Characteristics (RCA)

Contact Resistance:
 Before Durability Test: 30 milliohms max.
 After Durability Test: 60 milliohms max.
 Insulation Resistance:
 100 Megohms min. at 500V DC
 Dielectric Strength:
 250V AC for 1 minute
 Operating Temperature:
 -25°C to +70°C

Mechanical Characteristics

Insertion Force:
 RCA: 0.3kg - 5.0kg
 Optical Jack: 3.5kg Max
 Extraction Force:
 RCA: 0.3kg - 3.0kg
 Optical Jack: 0.4Kg Min.
 Durability: 5000 mating cycles

Part Number	RCA Jack Color	Optical Gate Color	
KFO42X-RCABK-R/G2	Black	Pink	
KFO42X-RCAOR-R/G2	Orange	Pink	Discontinued



Tolerances
X.X ± 0.25
X.XX ± 0.15
Unless Stated
Otherwise

REV.	DATE	DESCRIPTION	REV. BY	CHK. BY	DRAWN BY	DATE
A0	05/14/07	New Drawing	A. Frederick	P. DalCanto	A. Frederick	05/14/07
A1	07/17/07	Release drawing	R. Aguirre	N/A		
A2	10/28/13	ECO #13-086	D. Gih	H. MA		
A3	08/08/18	Update Address	D. Shehan	N/A		

KFO42X-RCAXx-R/G2

Stacked Optical Audio Connector, RoHS Compliant

RCA Jack over Receiver, Split Gate

